



**Pictured with optional
portable folding stand**

One-piece Portable

PORTABLE X-RAY SYSTEM



Light weight, compact & powerful

Experience the convenience of the AMRAD Medical One-Piece Portable X-ray machine that effortlessly delivers high-quality images with an HF generator that requires only a standard power connection (220V/110V).

With its lightweight build and user-friendly operation, you can take advantage of this portable unit in a variety of field applications.



Ease Of Use

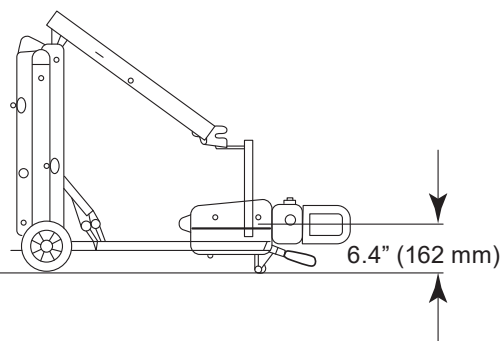
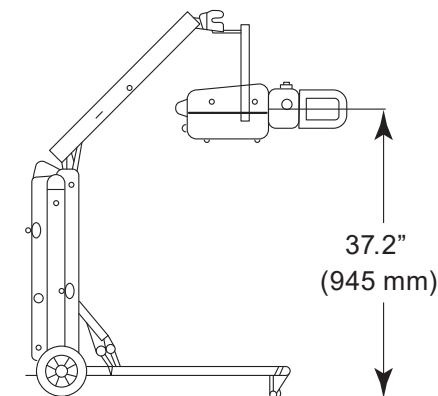
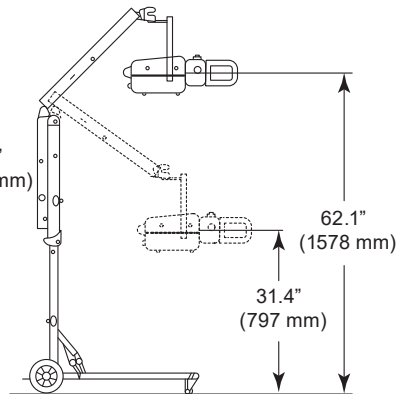
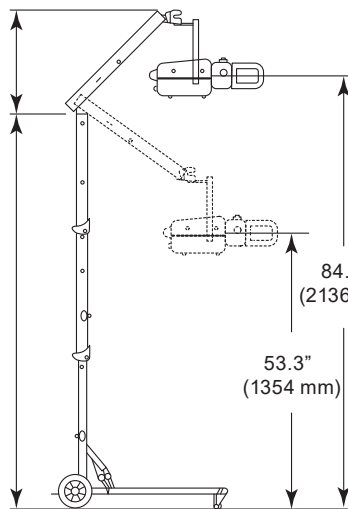
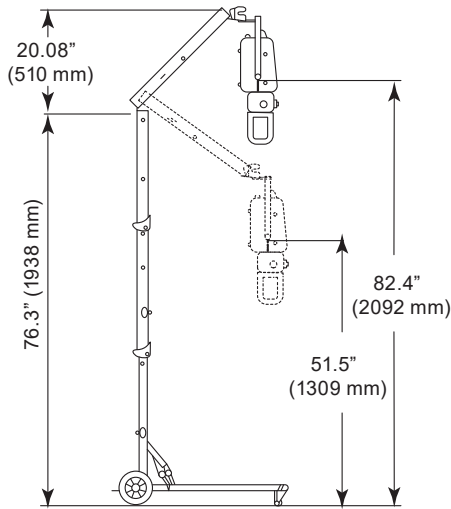
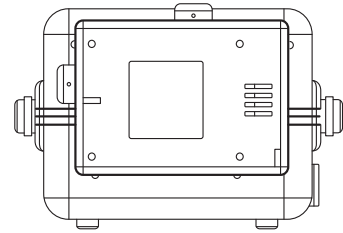
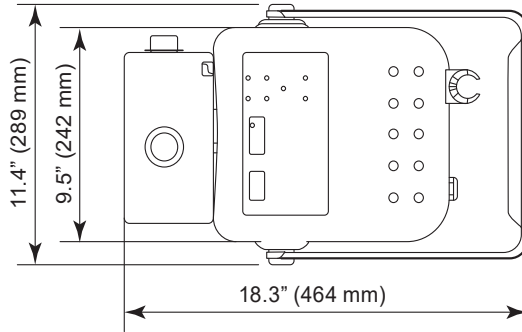
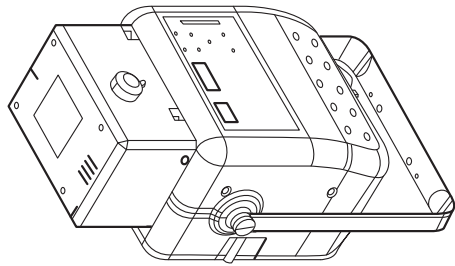
Lightweight, compact and powerful at 33 pounds, this highly portable system makes transporting, loading and unloading easy for the technician.

Available with 4 or 8 kW HF Generator.

Optional carrying case



Dimensions



Specifications

High Frequency X-Ray Generators

Models	SPL-HF-4.0	SPL-HF-8.0
kW Rating	4.0	8.0
kVp Range in 1 kVp Steps Accuracy	40 to 125 +/- 5%	40 to 125 +/- 5%
High Frequency Ripple	300 kHz	300 kHz
mA Stations	5, 6.4, 8, 10, 12.5, 16, 20, 25, 32, 40, 50, 64, 80, 100	5, 6.4, 8, 10, 12.5, 16, 20, 25, 32, 40, 50, 64, 80, 100
Exposure Time Range Number of Stations	0.001 - 10 seconds 41 (in 25% steps)	0.001 - 10 seconds 41 (in 25% steps)
mAs Range Number of Stations Accuracy	0.1 - 250 mAs 34 (in 25% steps) 5%	0.1 - 250 mAs 34 (in 25% steps) 5%
Optional APR	1 Region	1 Region
X-Ray Tube Stationary Anode Two Focal Spots Anode Heat Storage Capacity Target Angle	0.6 mm - 1.5 mm 40.000 HU 14°	0.6 mm - 2.8 mm 76.000 HU 14°
Laser Light Collimator	Optional	Optional
Power Cord Exposure Cord	19.7 ft. (6 meters) 9.8 ft. (3 meters)	19.7 ft. (6 meters) 9.8 ft. (3 meters)
Line Regulation	Single-Phase Line Automatic Regulation Automatic Output Power Adaption to Power Line Conditions	Single-Phase Line Automatic Regulation Automatic Output Power Adaption to Power Line Conditions
Line Power Requirements +/- 10% VAC (50/60Hz)	110VAC, 35 amps for full power - Can be de-rated	220VAC, 20 amps for full power - Can be de-rated
Weight	Portable Generator 33 lbs. (15 Kg) • Portable, Folding Stand 61.7 lbs (28 Kg)	Portable Generator 33 lbs. (15 Kg) • Portable, Folding Stand 61.7 lbs (28 Kg)



SUMMIT INDUSTRIES A NETWORK OF SERVICE & SUPPORT

Summit Industries' successful service network surrounds you with a dynamic team of exceptional experts. Your organization and your patients will benefit from the experience and best practices that only Summit Industries and their Authorized Dealer Network can offer.



LITR050-0325

SUMMIT INDUSTRIES, LLC

7555 N. Caldwell Avenue, Niles, Illinois 60714

(p) 773-353-4000 | (p) 1-800-729-9729



www.amradmedical.com