



DRAGON Classic DRAGON Elite

PORTABLE X-RAY SYSTEMS



Lightweight and compact for easy transport

The AMRAD Medical Dragon Portable imaging systems offer lightweight portability wherever mobile imaging is required.

The ideal application for the Dragon is for use by portable care providers servicing nursing home, and home health patients. Clinics and small hospitals can also benefit from the unit's easy maneuverability for light X-ray procedures.

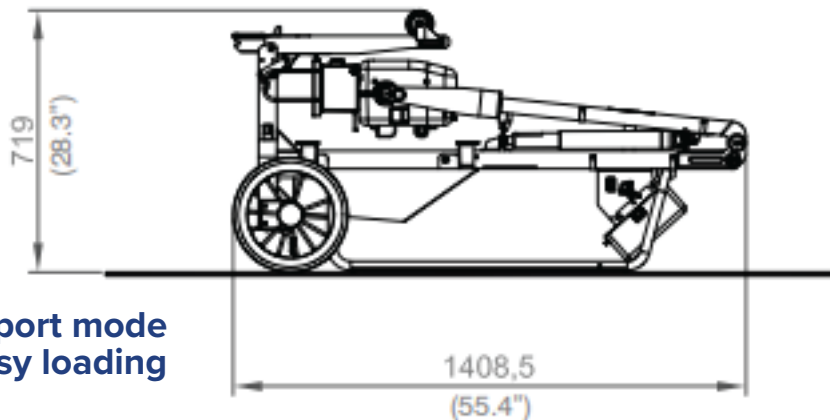
Ease Of Use

Techniques can be selected and adjusted at the control console and at the generator or tube head. There are also five different areas on the unit to activate the collimator light. The operator never has to leave the patient's side to use these convenient features. Other key features include:

- Certified manual collimator
- Fractional focal spot tube for greater detail
- Gas spring arm supports tube to accommodate easy positioning and exceptional arm mobility
- Stand on base with wheels for easy maneuverability
- Positive mechanical brakes
- Cassette storage box accommodates up to 8 cassettes

Power for your needs!

Choose the **Dragon Classic** with 4 kW HF generator or the **Dragon Elite** with 8 kW HF generator



**Compact transport mode
allows for easy loading**



Choose from 2 APR console options



**1 Region APR Console
MEMBRANE**



**6 Region APR Console
TOUCHSCREEN**

DR Ready

Any of the analog Dragon systems are available with our DR conversion package making the unit DR Ready!

Ask about our Digital packages or use with your existing DR system.



Dragon Portable X-Ray Systems

High Frequency Generator Specifications

Models	Classic: SPSL-HF-4.0-AL / SPSL-HF-4.0-APAL	Elite: SPSL-HF-8.0-APL-LC
kW Rating	4.0	8.0
kVp Range in 1 kVp Steps Accuracy	40 to 125 +/-5%	40 to 125 +/-5%
High Frequency Ripple	300 kHz	300 kHz
mA Stations	5, 6.4, 8, 10, 12.5, 16, 20, 25, 32, 40, 50, 64, 80, 100	5, 6.4, 8, 10, 12.5, 16, 20, 25, 32, 40, 50, 64, 80, 100
Exposure Time Range	0.001 - 10 seconds	0.001 - 10 seconds
Number of Stations	41 (in 25% steps)	41 (in 25% steps)
mAs Range	0.1 - 250 mAs	0.1 - 250 mAs
Number of Stations	34 (in 25% steps)	34 (in 25% steps)
Accuracy	5%	5%
APR Membrane Console	1 Region	1 Region
6 Region APR Touchscreen Console	Skull, Thorax, Spine, Abdomen/Pelvis, Lower & Upper Extremities/Small, Medium, Large and Pediatric Patient Sizes	Skull, Thorax, Spine, Abdomen/Pelvis, Lower & Upper Extremities/Small, Medium, Large and Pediatric Patient Sizes
User-Friendly Multi-Language Selection	English, Spanish, French, German, Russian, Polish and Turkish	English, Spanish, French, German, Russian, Polish and Turkish
X-Ray Tube Stationary Anode Two Focal Spots Anode Heat Storage Capacity Target Angle	0.5 mm - 1.8 mm 47,215 HU 16°	0.6 mm - 2.8 mm 40,000 HU 15°
Certified Manual Collimator	Standard	Standard
Power Cord	19.7 ft. (6 meters)	19.7 ft. (6 meters)
Exposure Cord	9.8 ft. (3 meters)	9.8 ft. (3 meters)
Line Regulation	Single-Phase Line Automatic Regulation Automatic Output Power Adaption to Power Line Conditions	Single-Phase Line Automatic Regulation Automatic Output Power Adaption to Power Line Conditions
Line Power Requirements +/- 10% VAC (50/60Hz)	4kW - 110 VAC to 240 VAC	8kW - 220 VAC to 240 VAC
Weight	118 lbs (54 kg)	118 lbs (54 kg)



SUMMIT INDUSTRIES A NETWORK OF SERVICE & SUPPORT

Summit Industries' successful service network surrounds you with a dynamic team of exceptional experts. Your organization and your patients will benefit from the experience and best practices that only Summit Industries and their Authorized Dealer Network can offer.



LITR051-0225

SUMMIT INDUSTRIES, LLC

7555 N. Caldwell Avenue, Niles, Illinois 60714

(p) 773-353-4000 | (p) 1-800-729-9729



www.amradmedical.com