



**AAU CLASSIC**  
SINGLE-DETECTOR U-ARM SYSTEM



# Maximum Flexibility, Minimal Space

Designed to give maximum flexibility with a minimal footprint, the AAU Classic is ideal for all radiographic procedures including standing, seated, and recumbent positions.



Large display of arm and detector rotation



Refine equipment positions with the conveniently located control panel

Detector-side controls for efficient equipment positioning refinements



Increase efficiency with the optional remote control



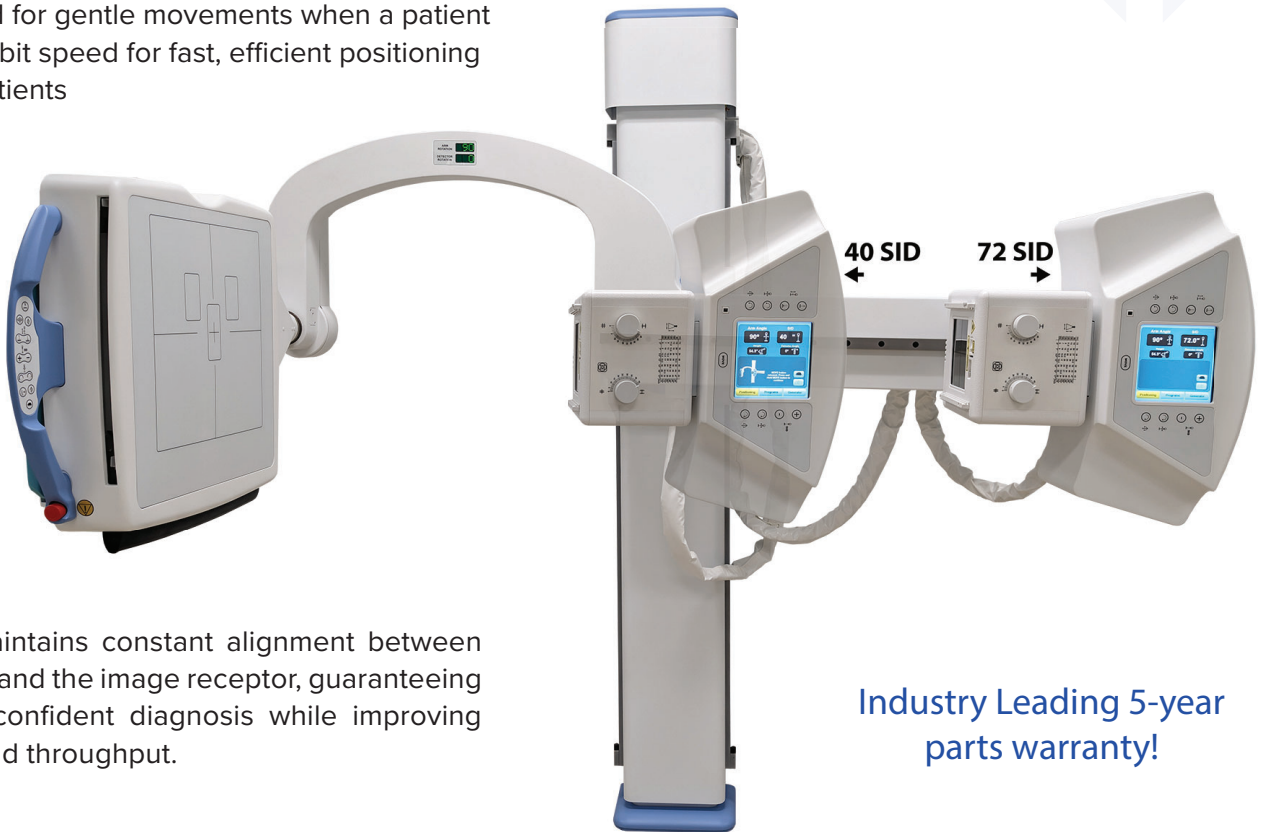


## AAU CLASSIC

A fully motorized single-detector U-arm system with auto-positioning for 18 customizable pre-programmed studies. Ideal for unique equipment positions required for challenging exams as well as commonly used positions. Table exams are possible with an optional mobile table.

### Safety Features

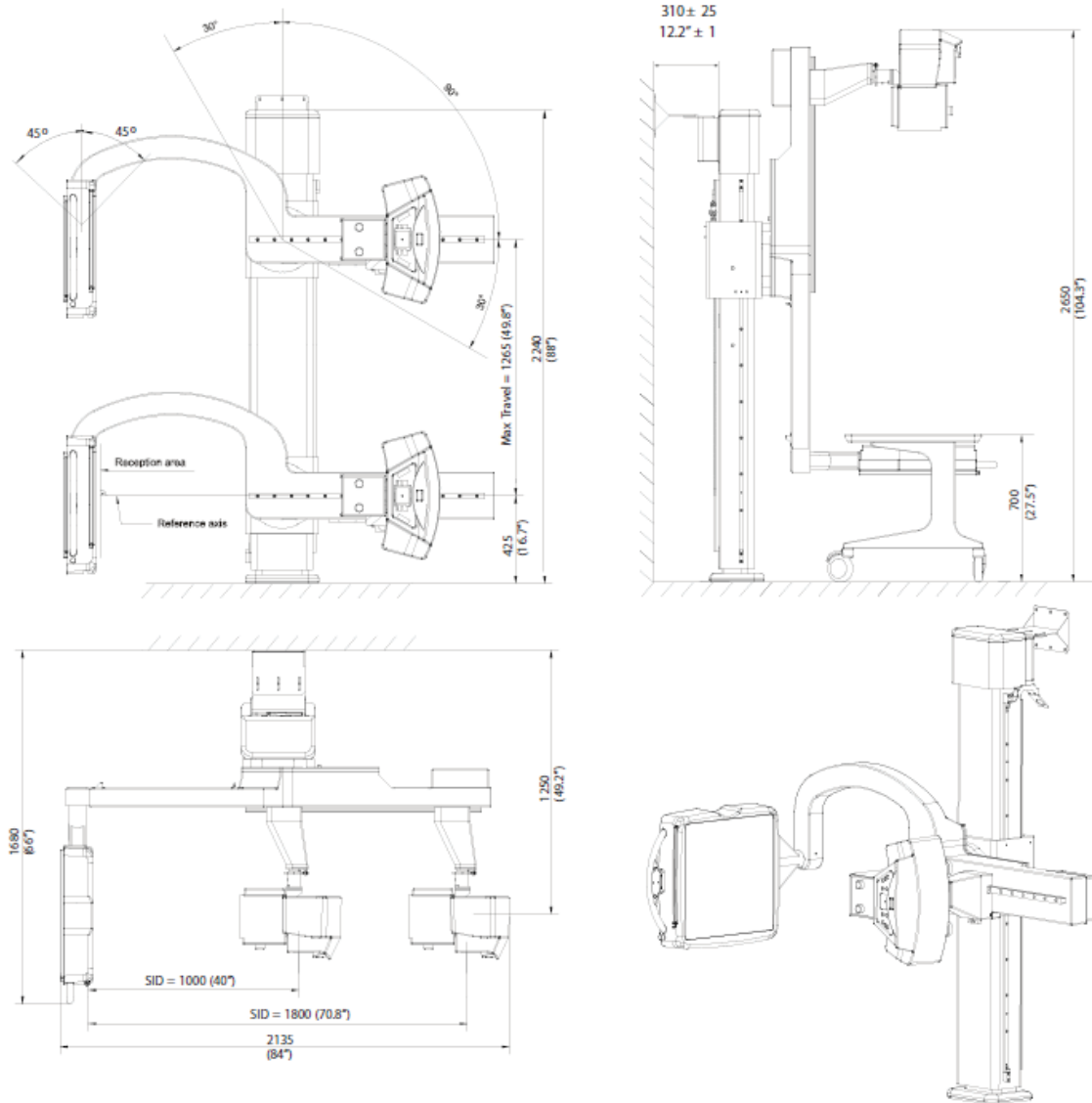
- Intelligent anti-collision system makes patient positioning quick, easy and safe
- Floor-to-wall mounted support
- Full dual-speed motorized swivel arm on all movements for effortless and accurate positioning
- Electromagnetic brakes for all movements
- Turtle speed for gentle movements when a patient present, rabbit speed for fast, efficient positioning between patients



The U-arm maintains constant alignment between the X-ray tube and the image receptor, guaranteeing efficient and confident diagnosis while improving productivity and throughput.

**Industry Leading 5-year parts warranty!**

# AAU Classic Dimensions



**SUMMIT INDUSTRIES**  
**A NETWORK OF SERVICE & SUPPORT**

*Summit Industries' successful service network surrounds you with a dynamic team of exceptional experts. Your organization and your patients will benefit from the experience and best practices that only Summit Industries and their Authorized Dealer Network can offer.*



LITR040-0125

**SUMMIT INDUSTRIES, LLC**

7555 N. Caldwell Avenue, Niles, Illinois 60714

(p) 773-353-4000 | (p) 1-800-729-9729



[www.amradmedical.com](http://www.amradmedical.com)