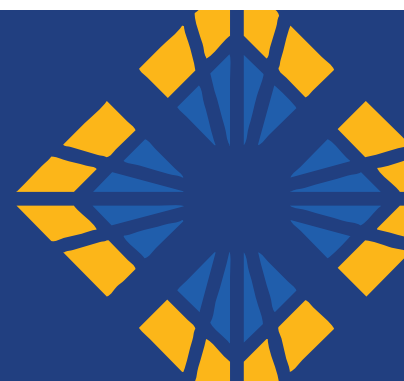




ONE-PIECE PORTABLE

Light weight, compact & powerful





SPL-HF-4.0/8.0

4 or 8 kW HF Generator



.....

**HF 300 kHz Operates on
Single Phase Power Two
Point Operation, kVp and
mAs Selection**

.....

**Optional Portable Folding
Stand and Carrying Case**



Portable X-Ray System

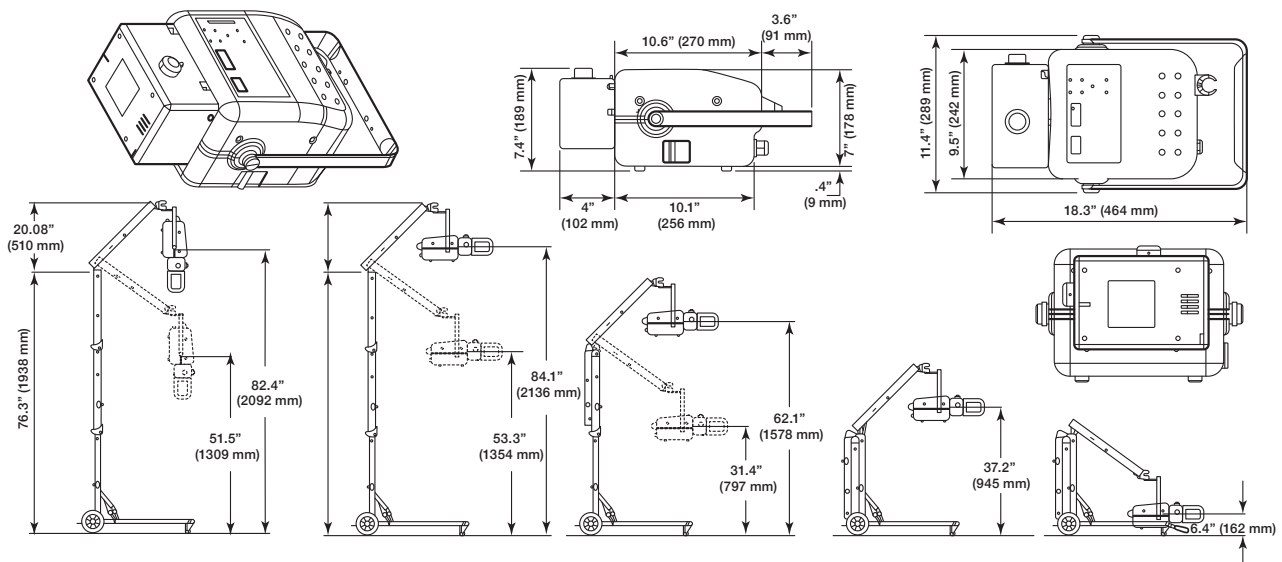


Specifications

High Frequency X-Ray Generators

Models	SPL-HF-4.0	SPL-HF-8.0
kW Rating	4.0	8.0
kVp Range in 1 kVp Steps Accuracy	40 to 125 +/- 5%	40 to 125 +/- 5%
High Frequency Ripple	300 kHz	300 kHz
mA Stations	5, 6.4, 8, 10, 12.5, 16, 20, 25, 32, 40, 50, 64, 80, 100	5, 6.4, 8, 10, 12.5, 16, 20, 25, 32, 40, 50, 64, 80, 100
Exposure Time Range Number of Stations	0.001 - 10 seconds 41 (in 25% steps)	0.001 - 10 seconds 41 (in 25% steps)
mAs Range Number of Stations Accuracy	0.1 - 250 mAs 34 (in 25% steps) 5%	0.1 - 250 mAs 34 (in 25% steps) 5%
Optional APR	1 Region	1 Region
X-Ray Tube Stationary Anode Two Focal Spots Anode Heat Storage Capacity Target Angle	0.6 mm - 1.5 mm 40.000 HU 14°	0.6 mm - 2.8 mm 76.000 HU 14°
Laser Light Collimator	Optional	Optional
Power Cord Exposure Cord	19.7 ft. (6 meters) 9.8 ft. (3 meters)	19.7 ft. (6 meters) 9.8 ft. (3 meters)
Line Regulation	Single-Phase Line Automatic Regulation Automatic Output Power Adaption to Power Line Conditions	Single-Phase Line Automatic Regulation Automatic Output Power Adaption to Power Line Conditions
Line Power Requirements +/- 10% VAC (50/60Hz)	110VAC, 35 amps for full power - Can be de-rated	220VAC, 20 amps for full power - Can be de-rated
Weight	Portable Generator 33 lbs. (15 Kg) • Portable, Folding Stand 61.7 lbs (28 Kg)	Portable Generator 33 lbs. (15 Kg) • Portable, Folding Stand 61.7 lbs (28 Kg)

Dimensions



PIONEERS IN RADIOLOGY SINCE 1984

A NETWORK OF SERVICE + SUPPORT

Enjoy all the advantages of our successful service network. From the first shot to the last managed image, we work to continually improve your imaging performance and patient experience.

Summit Industries' successful service network surrounds you with a dynamic team of exceptional experts. Your organization and your patients will benefit from the experience and best practices that only Summit Industries and its authorized dealer network can offer.

AMRAD  **Medical**

AMRAD Medical One-Piece Portable

SUMMIT INDUSTRIES, LLC
7555 N. Caldwell Avenue, Niles, Illinois 60714
(p) 773-353-4000 | (p) 1-800-729-9729

amradmedical.com



LITR050