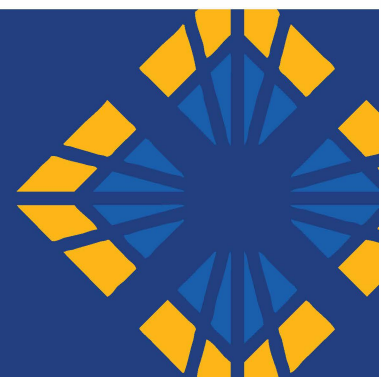




## **DRAGON ELITE AND CLASSIC**

Leader in Portability and Power





.....

**1 Region APR Console  
MEMBRANE**



.....

**6 Region APR Console  
TOUCHSCREEN**

.....

**LIGHT WEIGHT**

- Powerful 100 mA., 125 kVp
- 4 kW or 8 kW HF generator
- LED collimator
- Exceptional arm mobility
- Activate collimator light from 5 locations
- Fractional focal spot tube for greater detail
- Technique selection at console or tube



# Portable X-Ray System

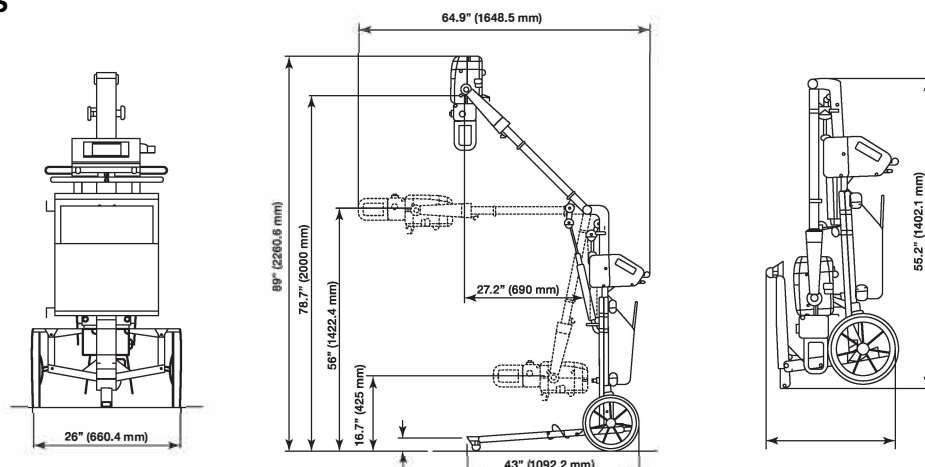


## Specifications

## High Frequency X-Ray Generators

Models	Classic: SPSL-HF-4.0-AL / SPSL-HF-4.0-APAL	Elite: SPSL-HF-8.0-APL-LC
kW Rating	4.0	8.0
kVp Range in 1 kVp Steps Accuracy	40 to 125 +/- 5%	40 to 125 +/- 5%
High Frequency Ripple	300 kHz	300 kHz
mA Stations	5, 6.4, 8, 10, 12.5, 16, 20, 25, 32, 40, 50, 64, 80, 100	5, 6.4, 8, 10, 12.5, 16, 20, 25, 32, 40, 50, 64, 80, 100
Exposure Time Range Number of Stations	0.001 - 10 seconds 41 (in 25% steps)	0.001 - 10 seconds 41 (in 25% steps)
mAs Range Number of Stations Accuracy	0.1 - 250 mAs 34 (in 25% steps) 5%	0.1 - 250 mAs 34 (in 25% steps) 5%
APR Membrane Console	1 Region	1 Region
6 Region APR Touchscreen Console	Skull, Thorax, Spine, Abdomen/Pelvis, Lower & Upper Extremities/Small, Medium, Large and Pediatric Patient Sizes	Skull, Thorax, Spine, Abdomen/Pelvis, Lower & Upper Extremities/Small, Medium, Large and Pediatric Patient Sizes
User-Friendly Multi-Language Selection	English, Spanish, French, German, Russian, Polish and Turkish	English, Spanish, French, German, Russian, Polish and Turkish
X-Ray Tube Stationary Anode Two Focal Spots Anode Heat Storage Capacity Target Angle	0.5 mm - 1.8 mm 47,215 HU 16°	0.6 mm - 2.8 mm 40,000 HU 15°
Laser Light Collimator	Optional	Standard
Power Cord Exposure Cord	19.7 ft. (6 meters) 9.8 ft. (3 meters)	19.7 ft. (6 meters) 9.8 ft. (3 meters)
Line Regulation	Single-Phase Line Automatic Regulation Automatic Output Power Adaption to Power Line Conditions	Single-Phase Line Automatic Regulation Automatic Output Power Adaption to Power Line Conditions
Line Power Requirements +/- 10% VAC (50/60Hz)	4kW – 110 VAC to 240 VAC	8kW – 220 VAC to 240 VAC
Weight	118 lbs (54 kg)	118 lbs (54 kg)

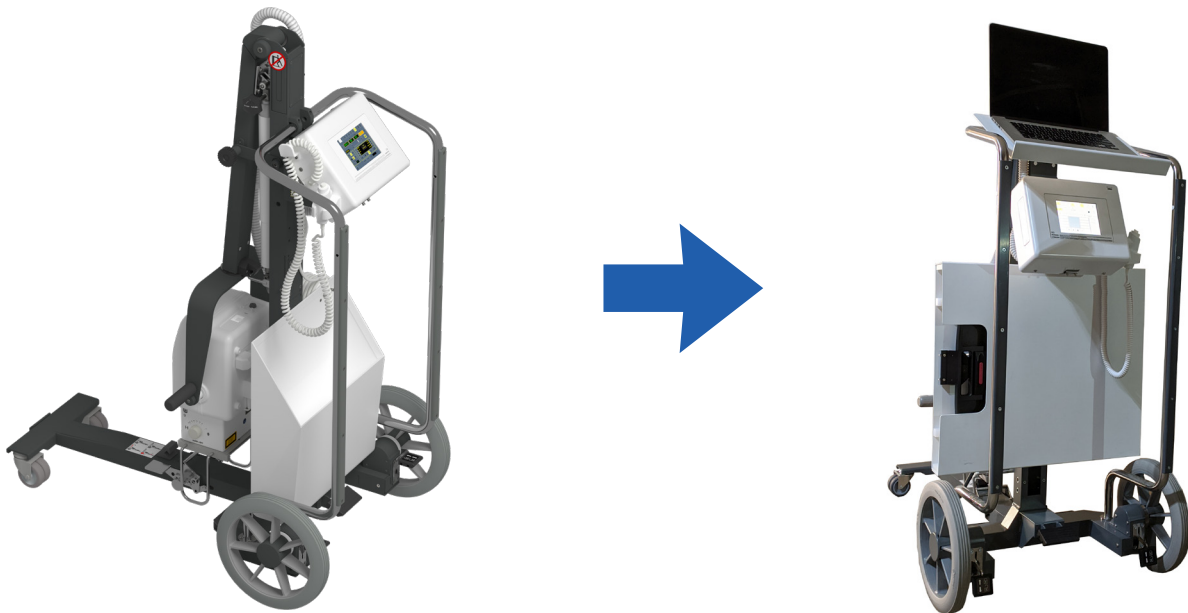
## Dimensions



# Optional

## DR RETROFIT KIT

Convert Dragon Portable X-Ray Unit from Analog to DR Ready



**NO DRILLING – NO TAPPING – ONE HOUR INSTALL**

- DR Retrofit Kit converts standard Dragon to DR Ready system
- Add your own DR System or ask us about our Flat Panel options
- Mounts to Touch Screen or Membrane Console units
- Fits both 4kW and 8kW units

# Optional

## AMRAD Medical TS PRIMO DR Digital Imaging Package

- TS Primo DR with Wireless 100 micron CsI 14 x 17 in. or 17 x 17 in. panel
  - ✓ Navigate easily with single screen setup menu
  - ✓ One-screen registration for simple, fast patient data entry
  - ✓ Worklist feature is compatible with all HIS / RIS systems
  - ✓ Easy, intuitive image acquisition saves time

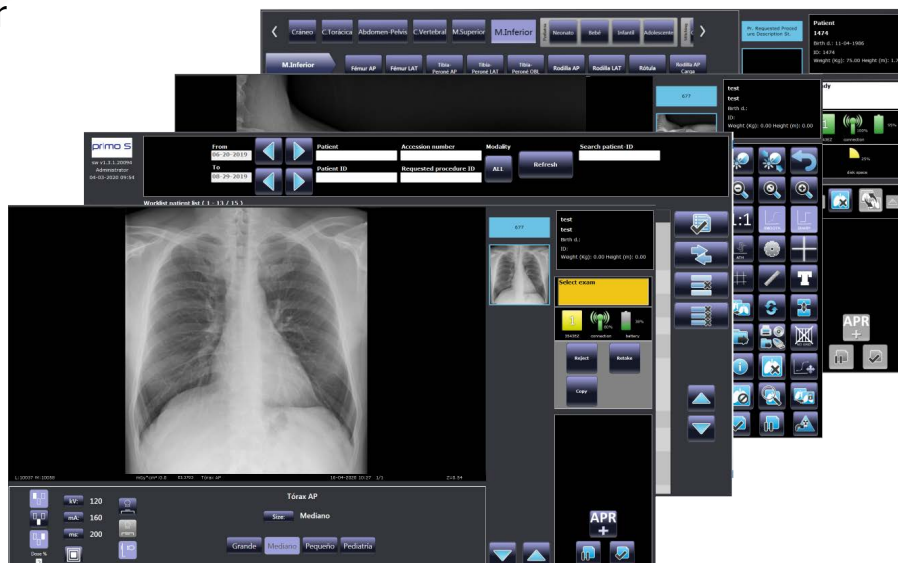


- Lenovo 2023 Flex 5 2-in-1 Laptop
  - ✓ 16GB RAM 512GB SSD
  - ✓ 16 in. 2.5K Touchscreen
  - ✓ Core i7-1255U 10-Core processor
  - ✓ Backlit Keyboard with Fingerprint Reader



- Panel Protector

- DR Retrofit Kit



# PIONEERS IN RADIOLOGY SINCE 1984

## A NETWORK OF SERVICE + SUPPORT

Enjoy all the advantages of our successful service network. From the first shot to the last managed image, we work to continually improve your imaging performance and patient experience.

Summit Industries' successful service network surrounds you with a dynamic team of exceptional experts. Your organization and your patients will benefit from the experience and best practices that only Summit Industries and its authorized dealer network can offer.

**AMRAD**  **Medical**  
A Trusted Brand of Summit Industries

AMRAD Medical Dragon Elite + Classic

**SUMMIT INDUSTRIES, LLC**  
7555 N. Caldwell Avenue, Niles, Illinois 60714  
(p) 773-353-4000 | (p) 1-800-729-9729

[amradmedical.com](http://amradmedical.com)



LITR051-0823