



SRS Pocket Small Room Solution



FLOOR-TO-WALL MOUNTED TUBESTAND
DUAL RAIL DESIGN SYSTEM

Big Room Capability That Fits in a Pocket!

Small room size? Need more flexibility within that small space?

The AMRAD Medical SRS Pocket gives you flexibility from a room that was designed to fit into a small space (9' x 9'), and yet provides the functionality of a full conventional x-ray system.

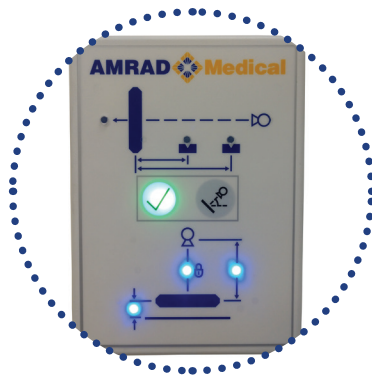
The AMRAD SRS Pocket is a multi-functional interlocking tubestand and wallstand that makes positioning easy and efficient. When the need arises, the tubestand and wallstand can be separated to further improve the functionality of such a small space. A tilting cabinet (with detents every 15°) provides even more flexibility.



Perform a full range of exams including:

- Table exams (with optional mobile table)
- Upright Chest
- Extremities
- Weight Bearing studies





Seeing is Believing

The AMRAD SRS Pocket is designed with our “EZ-Read” angulation dial, taking the guesswork out of getting that exact angle. Specially designed detents for 40” to table and 40” and 72” to wall make positioning quick and efficient. Our “SSD” system status display lets you know when you are in the detents and ready to perform your exam, improving throughput and productivity.

Tilt the Odds in Your Favor

A tilting grid cabinet that is available as a fixed DR cabinet, or with a removable tray for wireless panels, helps add to the list of flexibility. Easy one-handed rotation of the grid cabinet allows precise positioning for exams such as cervical spines or sunrise knees.



Tubestand Specifications

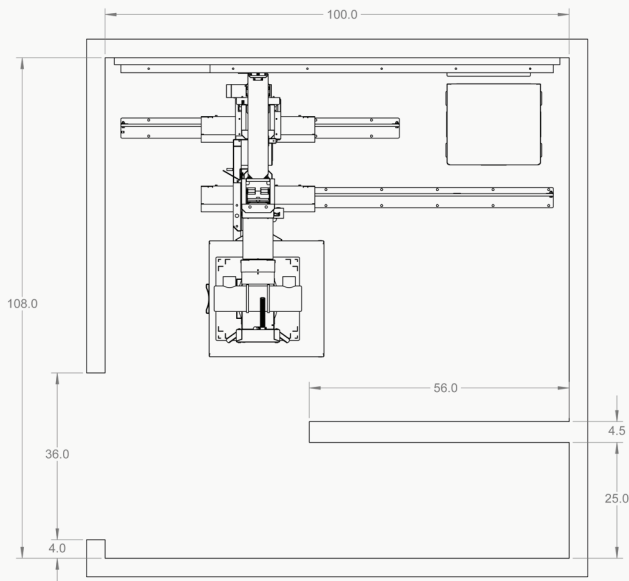
FLOOR-TO-WALL RAIL-MOUNTED TUBE STAND

- Platform tube mount
- Fixed length angulating tube arm
- Angulation dial and operator hand grips
- Vertical travel: 13.5" minimum to 73" maximum (focal spot to floor)
- Electric locks: vertical, horizontal, and tube arm angulation, all locks release
- Fully counterbalanced
- Operates on 24VDC powered by Nexus box

Wallstand Specifications

FLOOR-TO-WALL RAIL-MOUNTED WALL STAND (17"X 17" IMAGE)

- Tilting 17-inch grid cabinet with front panel that can be positioned from 0° (horizontal) to 105° (15° past vertical) with 15° locking increments
- 10:1 103 LPI Grid
- Fixed DR grid cabinet or receptor tray
- Electric locks: horizontal and vertical
- Remote collimator light switch
- Fully counterbalanced
- Operates on 24VDC powered by Nexus box



Typical Room Layout



Optional Mobile Table

SUMMIT INDUSTRIES, LLC

7555 N. Caldwell Avenue, Niles, Illinois 60714

(p) 773-353-4000 | (p) 1-800-729-9729



NSF-ISR

Registered to ISO 13485



LITR047-0523