

# AMRAD Medical

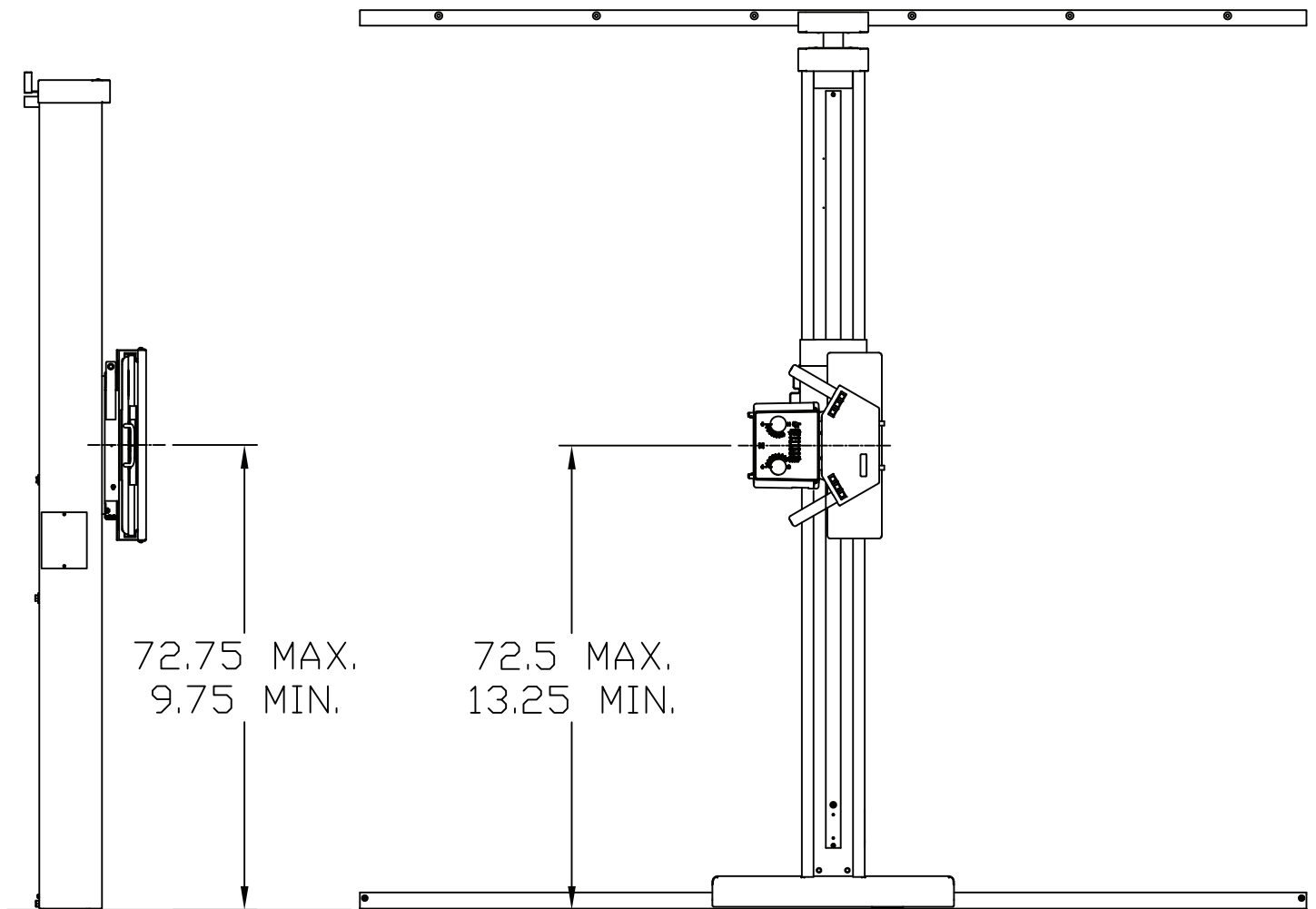


*CS Classic*

WALL MOUNTED CHEST STAND SYSTEM

The AMRAD Medical CS system is designed for facilities that specialize in Pulmonology and Occupational Medicine.

- 30-50kW generators
- Extensive vertical travel – 14”-73”
- Accommodates a full range of upright exams
- Pair with optional mobile table to expand imaging capabilities
- DR upgradeable - ask about our digital upgrade solutions



[www.amradmedical.com](http://www.amradmedical.com)

SUMMIT INDUSTRIES, LLC  
7555 N. Caldwell Avenue, Niles, Illinois 60714  
(p) 773-353-4000 | (p) 1-800-729-9729



LITR044-0523