



CS Elite

WALL MOUNTED CHEST STAND SYSTEM



The TXR International **CS Elite Chest Stand System** accommodates a full range of upright exams and is designed for facilities that specialize in pulmonology and occupational medicine. The ergonomically correct release handle and remote collimator light on the wall stand make positioning fast and efficient. The CS Elite System comes with an industry-leading 5-year parts warranty.

Specifications

Tube Stand (S114)

- Floor-to-wall or floor-to-ceiling mount
- Angulation dial for easy positioning
- 10" transverse movement, non-rotational tube stand
- 360° tube angulation with detents at zero and +/-90°
- 13.25 in. minimum (focal spot to floor), 73.5 in. maximum vertical travel
- Floor-to-ceiling mount for 88 in. – 121 in. ceiling height

CS Elite Wall Stand (J1000)

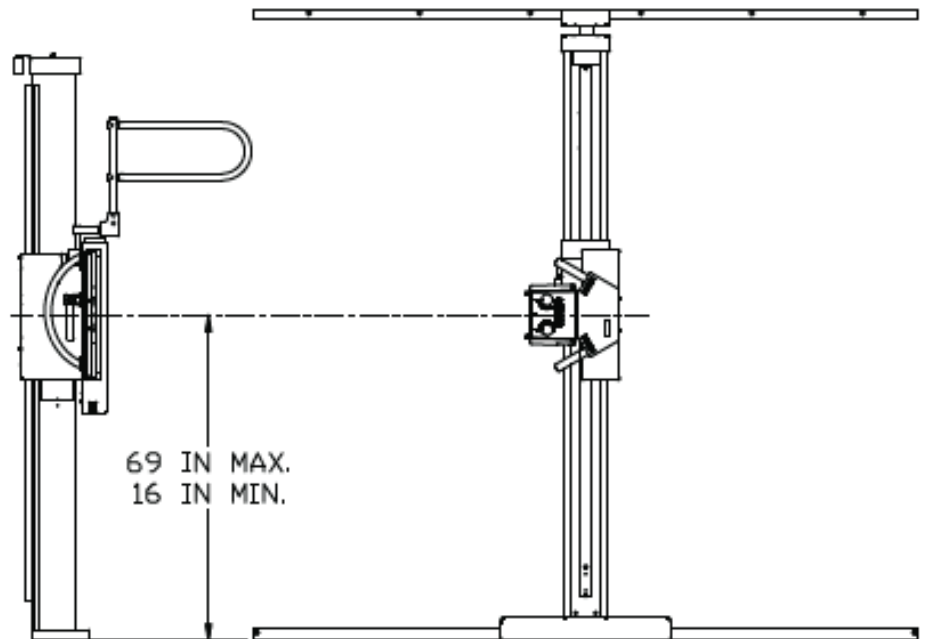
- Heavy-duty wall stand
- Vertical travel of detector center: 16" – 69" above finished floor
- PA hand grips and overhead patient handgrips
- Fully counter-balanced
- Electric locks
- Remote collimator light
- Accepts all size detectors



EZ lock release



Remote collimator light button on wall stand



Generator

- 30 - 50kW generator options

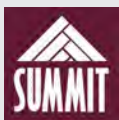
Options

- Pair with optional mobile table to expand imaging capabilities

Specifications are subject to change without notice



is a Trusted Brand of Summit Industries



Since 1984

SUMMIT INDUSTRIES, LLC
7555 N. Caldwell Avenue, Niles, Illinois 60714
(p) 773-353-4000 | (p) 1-800-729-9729
www.summitindustries.net



LITX002-0323
CS Elite