

Long Format Detector Wallstand

Wallstand designed for use with Vieworks 17x51 digital detector.

TRAVEL AND POSITION SPECIFICATIONS

Image plane vertical travel (floor to center)	Upper 17x17 Field	44.3 in min to >86 max (ceiling limited for all)
	Middle Field	27.3 min to >69 max
	Lower Field	10.3 min to >52 max
Wall to image plane	12.1 in	

MOUNTING SPECIFICATIONS

Minimum ceiling height	85.5 in from finished floor
Wall mounting holes	83.37 in from finished floor
Wall mounting	Two screws; minimum 500 lbs holding force each
Floor mounting	Two screws/anchors required; minimum 500 lbs holding force each

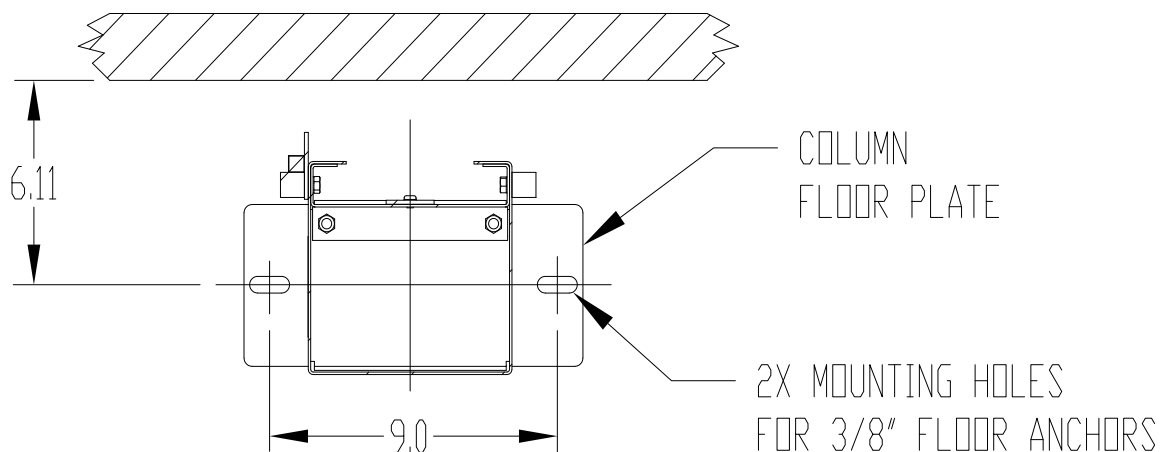
ELECTRICAL REQUIREMENT

24 VDC, 1 Amp, from 05970 power supply or applicable x-ray generator
--

SHIPPING INFORMATION

CONTENTS	DIMENSIONS	WEIGHT
J1000-51 (on pallet)	96 x 36 x 50 inches	495 lbs

Specifications subject to revision without notice.



Technical Data Sheet

Model J1000-51

