

S SERIES GENERATOR

(For generators made after 10/14/2020, starting with serial number GR14711)

RADIOGRAPHIC SPECIFICATIONS

| Model | 320S | 400S | 500S | 650S | 800S |
|-----------|---------|---------|---------|---------|----------|
| Part# | 08105* | 08106* | 08107* | 08108* | 08109* |
| Power | 32kW | 40kW | 50kW | 65kW | 80kW |
| kVp Range | 40-125 | 40-125 | 40-150 | 40-150 | 40-150 |
| mA Range | 10-400 | 10-500 | 10-630 | 10-630 | 10-1000 |
| mAs Range | 0.1-630 | 0.1-630 | 0.1-630 | 0.1-800 | 0.1-1000 |

ELECTRICAL SPECIFICATIONS

| Generator Model | 320S | | 400S | | 500S | | 650S | 800S | | | |
|---------------------------|---------------------|--------------------------|---------------------------------------|---------------------------------|---------------------------------------|-------------------------------------|--|-------------------------------------|----------------------------------|---------------------------------|---|
| Max Momentary Input | 54,000 VA | | 66,000 VA | | 80,000 VA | | 99,000 VA | 123,000 VA | | | |
| Line Phase | 1PH | 3PH | 1PH | 3PH | 1PH | 3PH | 3PH | 3PH | | | |
| Min Distribution Xfrmr | 75kVA | 3x25kVA | 75kVA | 3x25kVA | 100kVA | 3x37.5kVA | 3x37.5kVA | 3x50kVA | | | |
| Line Frequency | 50/60 | 50/60 | 50/60 | 50/60 | 50/60 | 50/60 | 50/60 | 50/60 | | | |
| NOMINAL LINE VAC +/- 10%* | 208 (202 to 214) | Power Supply # | 07147-002 | 07147-004 | 07147-008 | 07147-010 | 07147-013 | 07147-014 | - | - | |
| | | Line Match # | - | - | 00530-000 | - | 08326 | - | - | - | - |
| | | Min Disconnect | 130A | 75A | 159A | 92A | 192A | 111A | | | |
| | | Min Cu wire run (AWG@FT) | 2@50 1/0@100 3/0@150 4/0@200 | 6@50 2@100 1@150 1@200 | 2@50 2/0@100 4/0@150 4/0@200 | 4@50 2@100 1/0@150 2/0@200 | 1@50 3/0@100 250MCM @150 300MCM @200 | 4@50 1@100 2/0@150 3/0@200 | - | - | |
| | 220 (213 to 229) | Power Supply # | 07147-002 | 07147-004 | 07147-008 | 07147-010 | 07147-013 | 07147-014 | - | - | |
| | | Line Match # | - | - | - | - | - | - | - | - | - |
| | | Min Disconnect | 123A | 71A | 150A | 87A | 182A | 105A | | | |
| | | Min Cu wire run (AWG@FT) | 4@50 1@100 2/0@150 3/0@200 | 6@50 4@100 2@150 1@200 | 2@50 1/0@100 3/0@150 4/0@200 | 6@50 2@100 1@150 1/0@200 | 1@50 3/0@100A 250MCM @150 300MCM @200 | 4@50 2@100 1/0@150 2/0@200 | - | - | |
| | 240 (230 to 250) | Power Supply # | 07147-002 | 07147-004 | 07147-008 | 07147-010 | 07147-013 | 07147-014 | - | - | |
| | | Line Match # | - | - | - | - | - | - | - | - | - |
| | | Min Disconnect | 113A | 65A | 138A | 80A | 167A | 96A | - | - | |
| | | Min Cu wire run (AWG@FT) | 4@50 1@100 2/0@150 3/0@200 | 6@50 4@100 2@150 1@200 | 2@50 1/0@100 3/0@150 4/0@200 | 6@50 2@100 1@150 1/0@200 | 2@50 2/0@100 4/0@150 250MCM @200 | 4@50 2@100 1/0@150 2/0@200 | - | - | |
| | 400 (361 to 428) | Power Supply # | - | - | - | 07147-011 | - | 07147-015 | 07147-017 | 07147-019 | |
| | | Line Match # | - | - | - | - | - | - | - | - | |
| | | Min Disconnect | - | - | - | 48A | - | 58A | 72A | 89A | |
| | | Min Cu wire run (AWG@FT) | - | - | - | 10@50 8@100 6@150 4@200 | - | 10@50 6@100 4@150 4@200 | 8@50 6@100 4@150 2@200 | 8@50 4@100 2@150 2@200 | |
| | 480 (461 to 504) | Power Supply # | - | - | - | 07147-012 | - | 07147-016 | 07147-018 | 07147-020 | |
| | | Line Match # | - | - | - | - | - | - | - | - | |
| | | Min Disconnect | - | - | - | 40A | - | 48A | 60A | 74A | |
| | | Min Cu wire run (AWG@FT) | - | - | - | 12@50 8@100 8@150 6@200 | - | 10@50 8@100 6@150 4@200 | 10@50 6@100 4@150 4@200 | 8@50 6@100 4@150 2@200 | |

* Notes:

- 230VAC labeled generator operates from 208VAC to 240VAC lines. A line match transformer is only needed if specified in the chart above.
- The power supply# and the line match# are the required options to operate the generator at the specified

nominal Line VAC

3. Maximum VAC drop under load at the generator input is 5%
4. Run "RUN" is defined as length of wire between the building's main incoming electrical panel and the service disconnect switch in the X-ray room.
5. The generator does not provide 110/120 VAC supply.
6. Auxiliary power supplies: 24VAC@6A and 24VDC@10A
7. Min disconnect: Refers to the minimum Amp rating of the current protection whether it is via a circuit breaker or a fused disconnect switch. See NEC 660.5 for details.

Min Disconnect Amps = Max momentary Amps/2

1PH Max Momentary Amps = Max Momentary Input/Nominal Line VAC.

3PH Max Momentary Amps = Max Momentary Input/Nominal Line VAC/ $\sqrt{3}$

Common Fused Disconnect sizes:

50A, 60A, 100A, 200A

Common Circuit Breaker sizes:

1PH/240: 125A, 150A; **3PH/240:** 40A, 45A, 50A, 60A, 70A, 80A, 90A, 100A; **3PH/480:** 40, 50, 60, 70, 80, 90, 100

ENVIRONMENTAL OPERATING SPECIFICATIONS

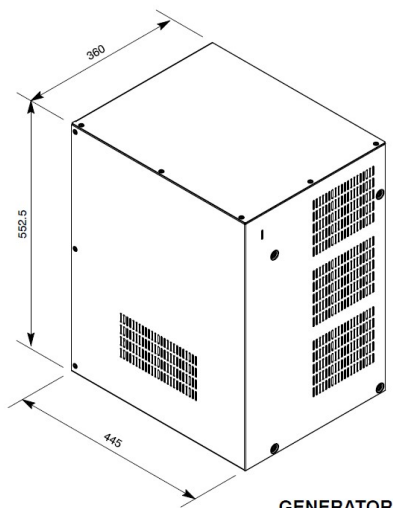
| | | |
|-----------------------------|-------------------------|---|
| Ambient temperature range | Relative humidity range | Atmosphere pressure range |
| 50°F (10°C) to 104°F (40°C) | 30% to 75% | 20.67 inHg (700 hPa) to 31.30 inHg (1060 hPa) |

TUBE COMPATIBILITY LIST

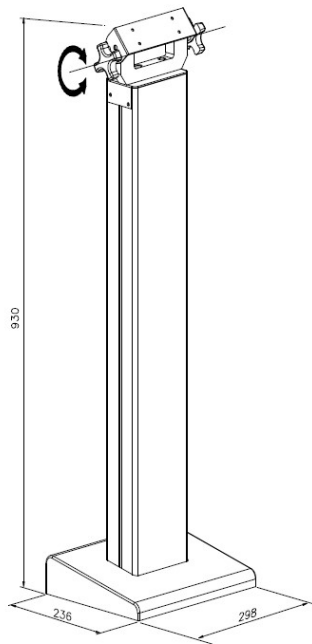
| | |
|--|---------------|
| TOSHIBA | VARIAN |
| 7239, 7242, 7252-AL, 7252-RA, 7254, 7255, 7869, 7884 | RAD14, RAD56 |

DIMENSIONS

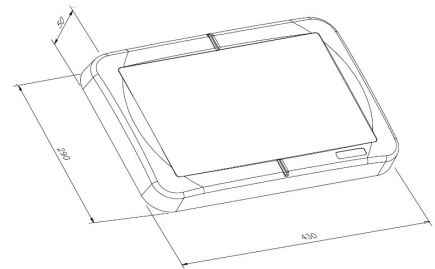
| COMPONENT | Length | Width | Height | Weight |
|---|--------------------|-------------------|---------------------|-------------------|
| CRATED Generator (Shipping Information) | 1070 mm (42.1") | 620 mm (24.4") | 740 mm (29.1") | 92 kg (203 lb) |
| Generator with Leveling Legs | 445 mm (17.5") | 360 mm (14.2") | 564.5 mm (22.2") | 65 kg (143 lb) |
| Pedestal | 298 mm (11.7") | 236 mm (9.3") | 930 mm (36.6") | 10 kg (22 lb) |
| RAD Console Graphic Display | 430 mm (16.9") | 290 mm (11.4") | 50 mm (1.9") | 6 kg (13.2 lb) |



GENERATOR



PEDESTAL



RAD CONSOLE - GRAPHIC DISPLAY