

200 kHz HIGH FREQUENCY GENERATOR

This sleekly designed, UL Classified generator (CPI CMP200 & CMP200DR) is fully microprocessor controlled. Closed loop stabilization allows extremely accurate and repeatable output. 200 kHz inverter circuitry results in high mR/mAs, nearly ripple free kVp. Single kVp increments and either direct mAs or mA/time selection provide complete flexibility in technique adjustment. Anatomical programming and Auto-Calibration features are standard. AEC is an available option.

SPACE REQUIREMENTS

Power Module (H x D x W)	24.3" x 25.7" x 13.7"	135 lbs. weight
Generator Console (H x D x W)	3.7" x 12.3" x 10.9"	6 lbs. weight
Communication Cable (Power Module to Console)	One 50' 8-cond Ethernet cable, can pass thru 3/4" conduit	-
Cable Entry/Exit	On rear of power module, 22" above floor	-

ELECTRICAL REQUIREMENTS

Generator Series and Mains Voltage	Minimum Recommended Mains Disconnect to Generator (15 ft/5 m max)	Generator Momentary Line Current	Minimum Recommended Generator Service Rating	Minimum Recommended Distribution Transformer Rating	Minimum Recommended Ground Wire Size (See notes 1, 2, 3, & 4 below)	Apparent Mains Resistance
32 kW 208 VAC, 1p.	#2 (33 mm ²)	220 A	120 A	45 kVa	#2 (33 mm ²)	0.045 Ω
32 kW 230 VAC, 1p.	#2 (33 mm ²)	200 A	120 A	50 kVa	#2 (33 mm ²)	0.055 Ω
32 kW 208 VAC, 3p.	#4 (21 mm ²)	120 A	100 A	45 kVa	#4 (21 mm ²)	0.07 Ω
32 kW 230 VAC, 3p.	#4 (21 mm ²)	110 A	100 A	45 kVa	#4 (21 mm ²)	0.09 Ω
32 kW 400 VAC, 3p.	#6 (13.3 mm ²)	65 A	100 A	45 kVa	#6 (13.3 mm ²)	0.27 Ω
32 kW 480 VAC, 3p.	#6 (13.3 mm ²)	55 A	100 A	45 kVa	#6 (13.3 mm ²)	0.40 Ω
40 kW 208 VAC, 1p.	#2 (33 mm ²)	275 A	120 A	65 kVa	#2 (33 mm ²)	0.035 Ω
40 kW 230 VAC, 1p.	#2 (33 mm ²)	250 A	120 A	65 kVa	#2 (33 mm ²)	0.045 Ω
40 kW 208 VAC, 3p.	#4 (21 mm ²)	150 A	100 A	55 kVa	#4 (21 mm ²)	0.055 Ω
40 kW 230 VAC, 3p.	#4 (21 mm ²)	135 A	100 A	55 kVa	#4 (21 mm ²)	0.075 Ω
40 kW 400 VAC, 3p.	#6 (13.3 mm ²)	80 A	100 A	55 kVa	#6 (13.3 mm ²)	0.22 Ω
40 kW 480 VAC, 3p.	#6 (13.3 mm ²)	65 A	100 A	55 kVa	#6 (13.3 mm ²)	0.32 Ω

Generator Series and Mains Voltage	Minimum Recommended Mains Disconnect to Generator (15 ft/5 m max)	Generator Momentary Line Current	Minimum Recommended Generator Service Rating	Minimum Recommended Distribution Transformer Rating	Minimum Recommended Ground Wire Size (See notes 1, 2, 3, & 4 below)	Apparent Mains Resistance
50 kW 208 VAC, 3p.	#2 (33 mm ²)	185 A	100 A	65 kVa	#2 (33 mm ²)	0.045 Ω
50 kW 230 VAC, 3p.	#2 (33 mm ²)	170 A	100 A	65 kVa	#2 (33 mm ²)	0.055 Ω
50 kW 400 VAC, 3p.	#6 (13.3 mm ²)	100 A	100 A	65 kVa	#6 (13.3 mm ²)	0.17 Ω
50 kW 480 VAC, 3p.	#6 (13.3 mm ²)	80 A	100 A	65 kVa	#6 (13.3 mm ²)	0.24 Ω
65 kW 400 VAC, 3p.	#6 (13.3 mm ²)	125 A	100 A	85 kVa	#6 (13.3 mm ²)	0.13 Ω
65 kW 480 VAC, 3p.	#6 (13.3 mm ²)	105 A	100 A	85 kVa	#6 (13.3 mm ²)	0.19 Ω
80 kW 400 VAC, 3p.	#6 (13.3 mm ²)	155 A	100 A	105 kVa	#6 (13.3 mm ²)	0.10 Ω
80 kW 480 VAC, 3p.	#6 (13.3 mm ²)	130 A	100 A	105 kVa	#6 (13.3 mm ²)	0.15 Ω

Notes (Generator Ground Requirements):

1. A suitable ground must be connected from the disconnect switch to the main ground of the generator, located to the right of the main fuse block. The ground wire is typically part of the line cord, and the current capacity of the ground conductor must normally be equal to or greater than that of the line conductors.
2. A copper ground cable, #10 AWG (6 mm²) or larger should be connected from the X-ray tube housing to the HT tank ground stud (located at the top of the HT tank).
3. If a neutral line is provided with the system, under no circumstances is it to be used for ground purposes. The ground must carry fault currents only.
4. All wiring must be copper.

The generator provides 24VAC, 6A and 24VDC, 1.9A supply voltages for collimator and locks.

The generator provides optional 24VDC, 75W, regulated, unswitched 2.5A power supply (intended for use with LED collimators).

(If a 110 VAC supply for structures is required it must come from a breaker or outlet.)

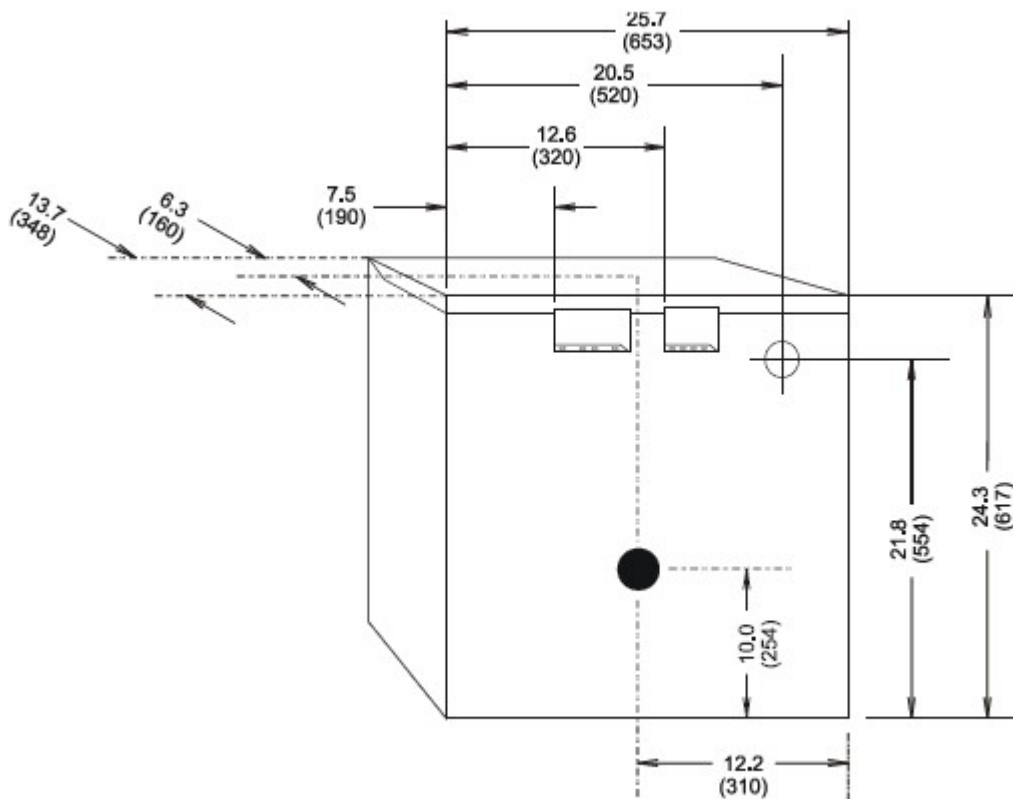
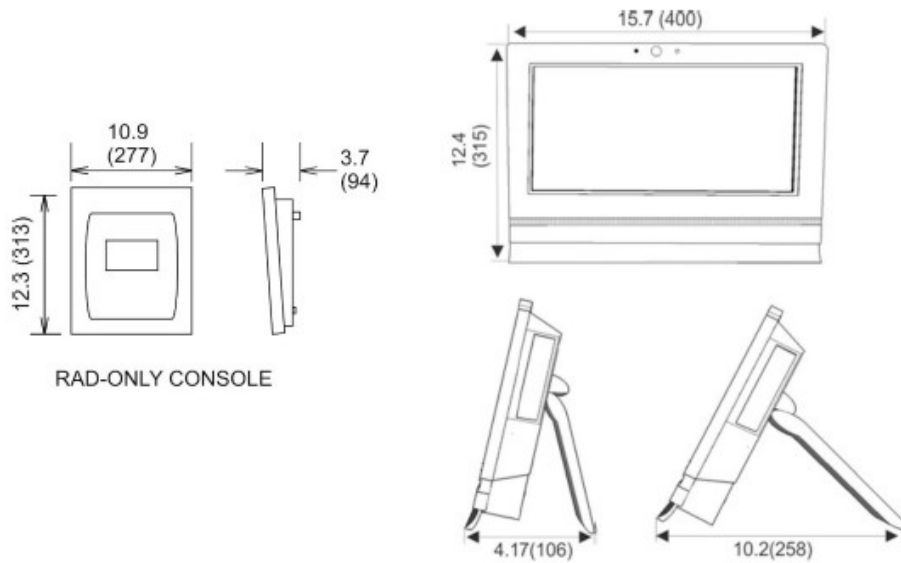
Estimated Maximum Heat Output: < 1000 BTU/hour

SHIPPING INFORMATION

CONTENTS	DIMENSIONS (H x D x W)	WEIGHT
One palletized package	38" x 30.5" x 21.5" inches	151 lbs.

Specifications subject to change without notice.

200 kHz HIGH FREQUENCY GENERATOR



DIMENSIONS ARE IN INCHES (MM)

Power Module
(Contains HV Generator)

One removable cover (9 screws) provides access to Top, Front & L/R Sides.