

Heavy Duty Wallstand

Wallstand designed for use with various image receptors.

Standard Features: Heavy duty column/slide system, grid cabinet, electric locks, remote collimator light switch, patient grip handle(s), column base cover,

Options:

Mounting: Center-mount load right, center-mount load left, side-mount load right, or side-mount load left; reciprocating bucky, high-speed bucky, solid-state AEC chamber with pre-amp, secondary vertical lock release handle (non-load side).

Harmony 14x17 rotating DR cabinet available in left or right load.

SPECIFICATIONS

Image plane vertical travel	16 in min, 69 in max from finished floor	
Wall to image plane	Center mount	11.5 in
	Side mount	9.5 in
Front panel attenuation	1.0 mm Al equivalent max	
Column height	84.9 in	
Minimum ceiling height	85.5 in from finished floor	
Wall mounting holes	83.37 in from finished floor	
Wall mounting	Two screws; minimum 500 lbs holding force each	
Floor mounting	Two screws/anchors required; minimum 500 lbs holding force each	

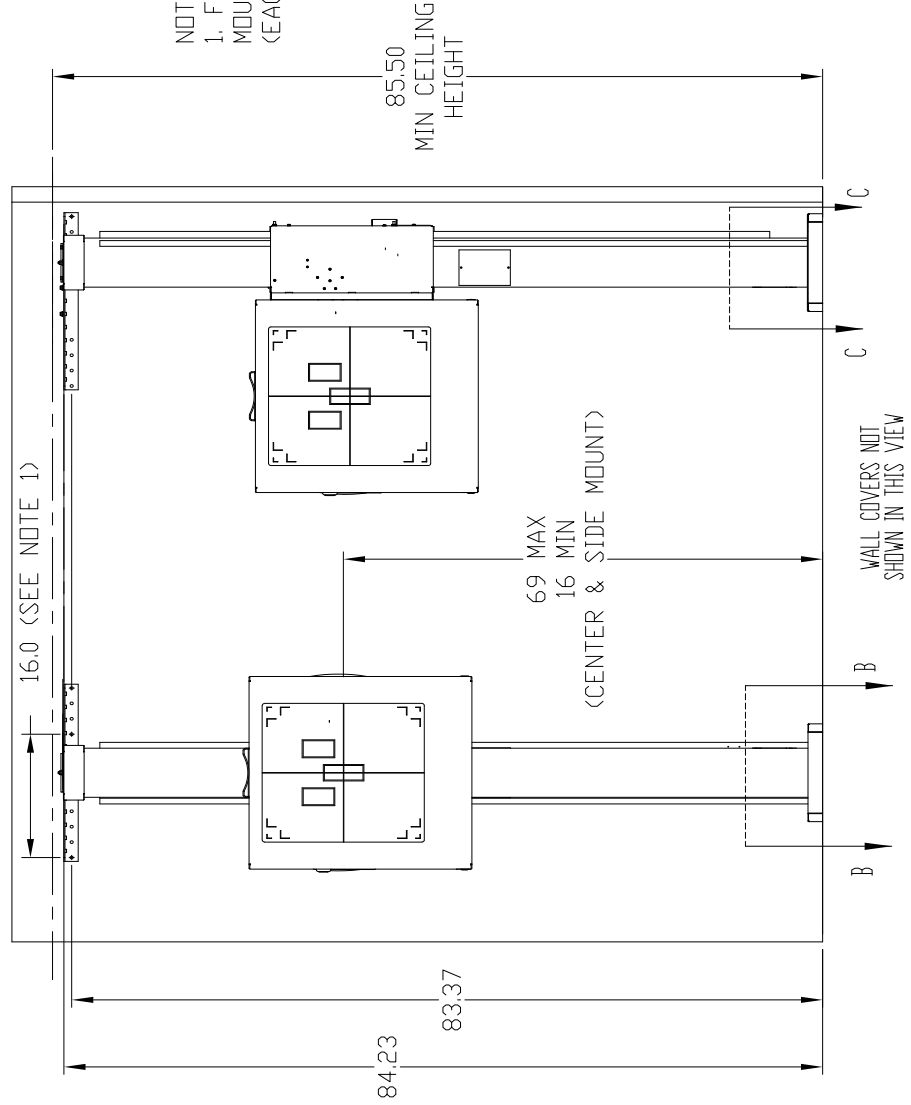
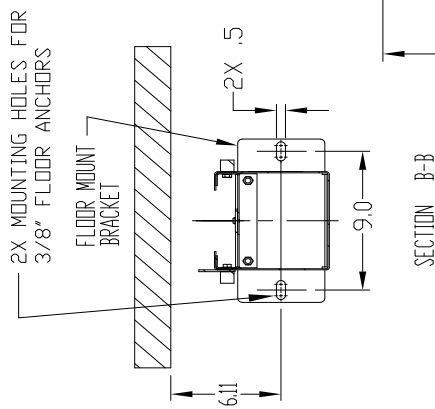
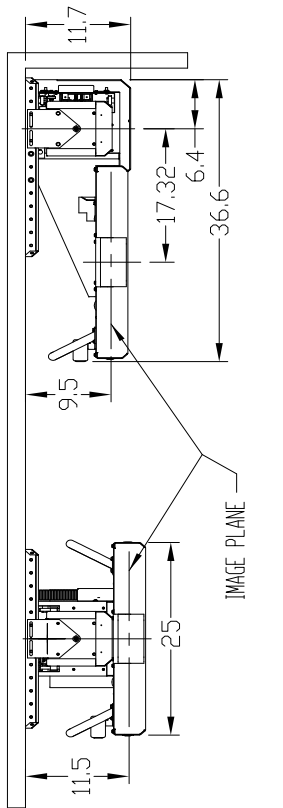
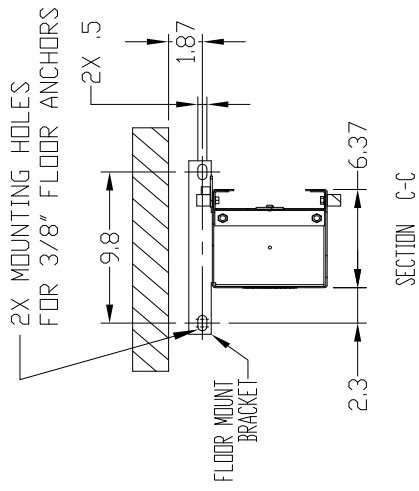
ELECTRICAL REQUIREMENT

24 VDC, 1 Amp, from 05970 power supply (included) or applicable x-ray generator

SHIPPING INFORMATION

CONTENTS	DIMENSIONS	WEIGHT
J1000* (on pallet)	96 x 32 x 47 inches	450 lbs

Specifications subject to revision without notice.



NOTES:
1. FOUR (4) SETS OF PAIRED 0.38 DIA. MOUNTING HOLES FOR WALL ANCHORING (EACH SET 2" APART)