

# FLOOR MOUNT TUBE STAND (FMT) DIGITAL FLOOR MOUNT TUBE STAND (DMFT)

## FOCAL SPOT MOTION

Vertical travel, distance from floor	14.56 inches minimum, beam horizontal
	72.44 inches maximum, beam vertical
Longitudinal travel	96 inches (10 foot floor rail)
Transverse travel	8.5 inches total
Tube angulation	$\pm 135^\circ$ with detents at zero and $\pm 90^\circ$
Column rotation	$\pm 180^\circ$ where installation conditions permit; Detents at $90^\circ$ intervals

## SPACE REQUIREMENTS

Minimum ceiling height	92.5 inches	
Floor rail dimensions	10 feet x 18 inches x 1.25	
Wall to floor rail	5.5 inches minimum, allows $\pm 90^\circ$ column rotation	
Wall to focal spot (in detent, at 5.5 min wall to floor rail)	<b>Platform</b>	43.2 inches
	<b>Trunnion</b>	44.3 inches
Detent position adjustment	OUT: 0.5 inch, IN: 0.25 inch	

## ELECTRICAL

100-120 VAC, 50/60 Hz, 0.8 A  
200-240 VAC, 50/60 Hz, 0.4 A  
A 20 foot, #14 AWG 3 conductor supply cable with a plug for US standard 120 VAC outlet is provided.

## MOUNTING SPECIFICATIONS

Floor to be level in all directions. Carpeted flooring under rail is not recommended.  
Five floor anchors (provided), each with a minimum of 500 lbs pullout force required.  
For reference, a 3/8" steel expansion bolt with 2" of embedment in 3000 psi concrete provides at least 600 lbs of pullout strength.

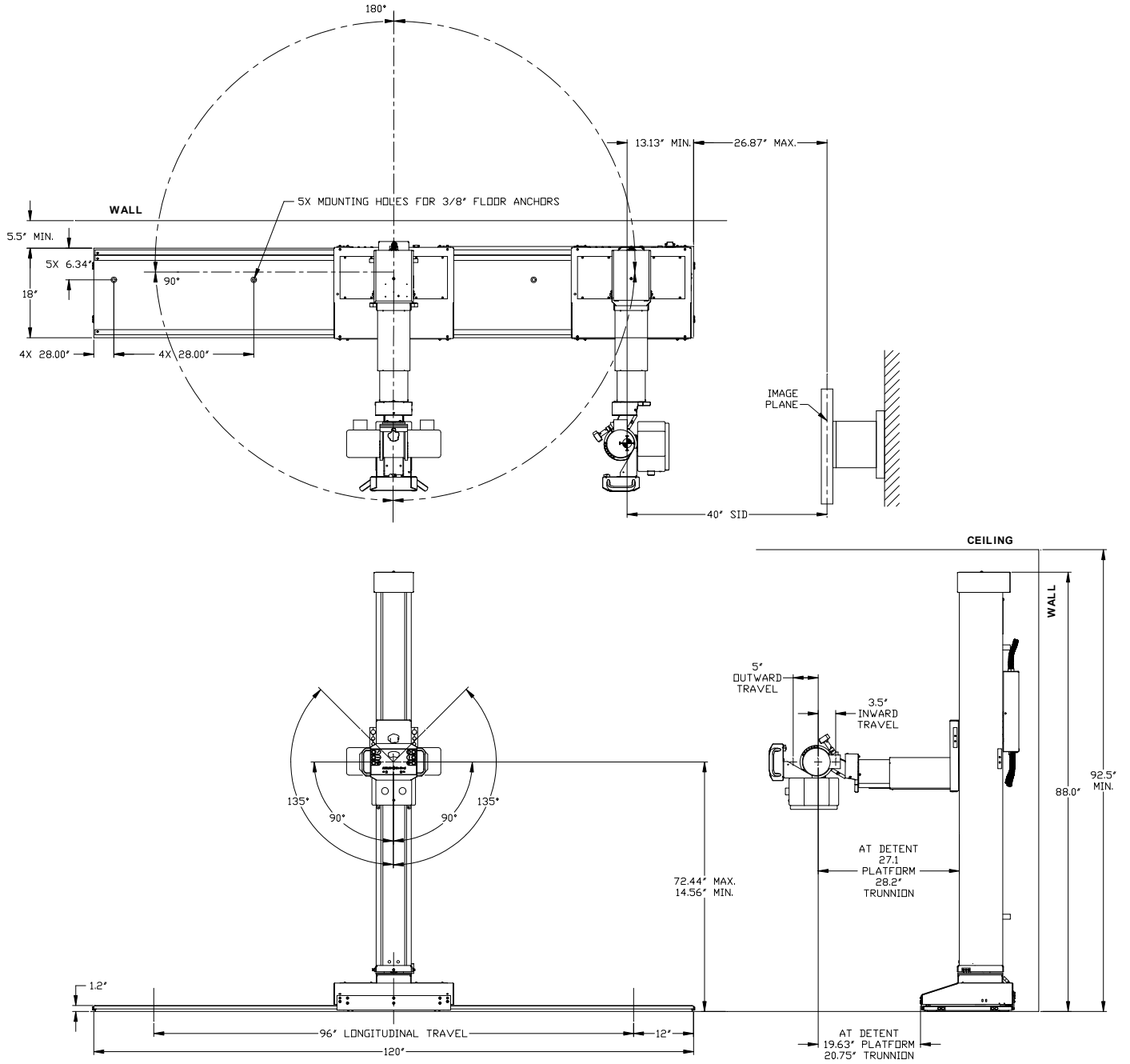
## SHIPPING INFORMATION

This product is shipped as one carton and one palletized carton.

Contents	Dimensions	Weight
Floor rail	124 x 19 x 3 inches	140 pounds gross 130 pounds net
Column, transverse arm, base ass'y, tube mount, junction box, cables	90 x 35 x 12 inches, on a pallet	450 pounds gross 365 pounds net

Specifications subject to revision

# FLOOR MOUNT TUBE STAND



# DIGITAL FLOOR MOUNT TUBE STAND

